

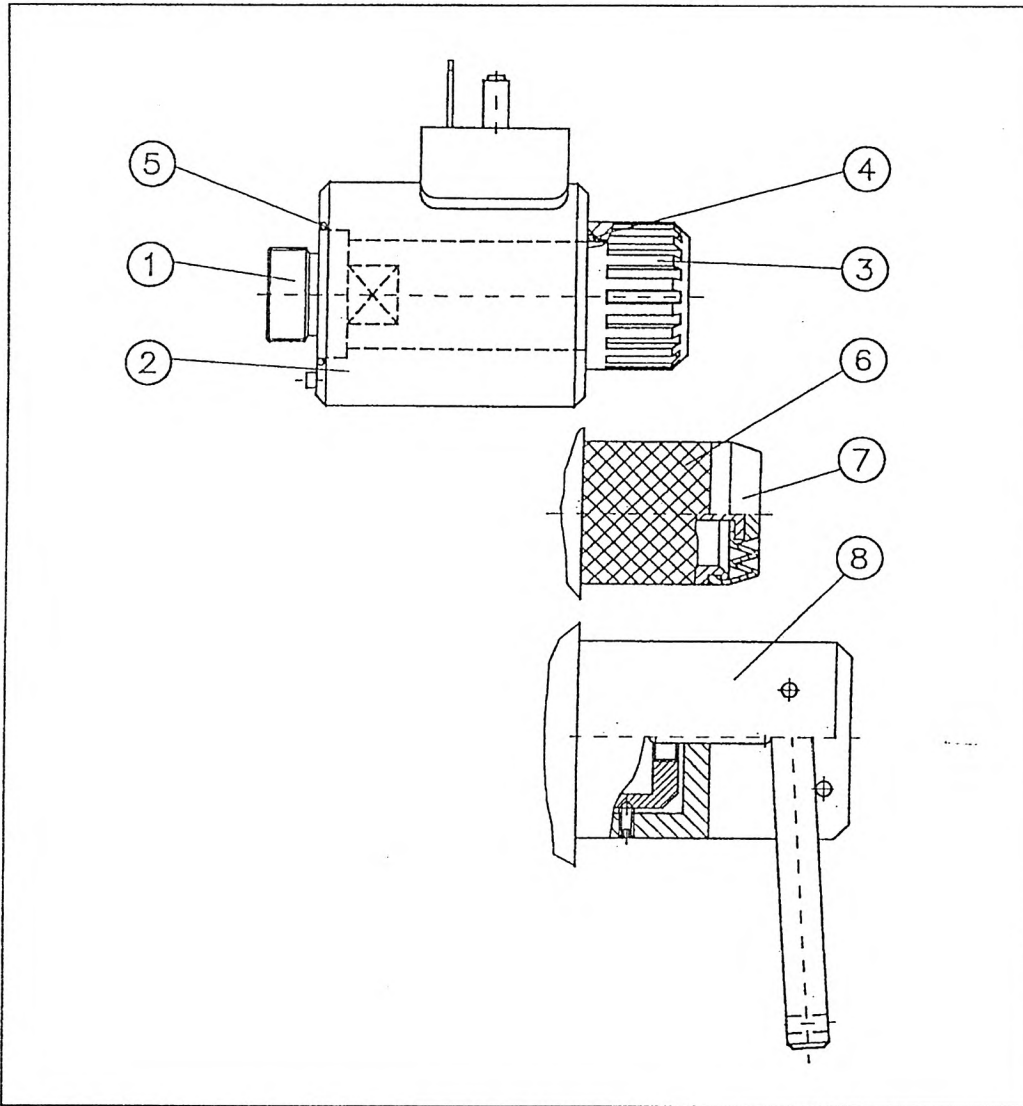
MAGNET ASSY
MAGNET KPL
AIMANT CPL

997-073-08448

Figure
Bild
Figure

7308448

3211-12



| Item Pos. Réf | Part No. Teil-Nr. Pièce No | Designation Benennung Désignation | all alle tous | Qty/assy Stck/Variante Pièce/ensemble | | | | | | | | Figure Bild Figure | |
|---------------------|----------------------------------|--|---------------------|--|---|---|---|---|---|---|---|--------------------------|--|
| | | | | A | B | C | D | E | F | G | H | | |
| 3 | 997-073-08447 | NUT MUTTER ECROU | 1 | | | | | | | | | | |
| 4 | 997-084-02731 | O-RING 22X1,5 O-RING JOINT TORIQUE | 1 | | | | | | | | | | |
| 5 | 997-084-02605 | O-RING 26X2 O-RING JOINT TORIQUE | 1 | | | | | | | | | | |
| 6 | 997-073-08446 | NUT MUTTER ECROU | 1 | | | | | | | | | | |
| 7 | 997-073-08443 | CAP SCHUTZKAPPE CAPUCHON PROTECTRICE | 1 | | | | | | | | | | |
| 8 | 997-073-08445 | NUT MUTTER ECROU | 1 | | | | | | | | | | |

VALVE GROUP
 VENTILGRUPPE
 GROUPE DE SOUPAPES

997-077-66721

Figure
 Bild
 Figure

7766721

3211-01



| Item Pos. Réf | Part No. Teil-Nr. Pièce No | Designation Benennung Désignation | all alle tous | Qty/assy Stck/Variante Pièce/ensemble | | | | | | | | Figure Bild Figure | |
|---------------------|----------------------------------|---|---------------------|--|---|---|---|---|---|---|---|--------------------------|--|
| | | | | A | B | C | D | E | F | G | H | | |
| 230 | 997-001-58535 | HOSE LINE M16x2 -1500lg SCHLAUCHLEITUNG CONDUITE FLEXIBLE | 2 | | | | | | | | | | |
| 231 | 997-007-18341 | HOSE LINE M16x2 -1000lg SCHLAUCHLEITUNG CONDUITE FLEXIBLE | 2 | | | | | | | | | | |